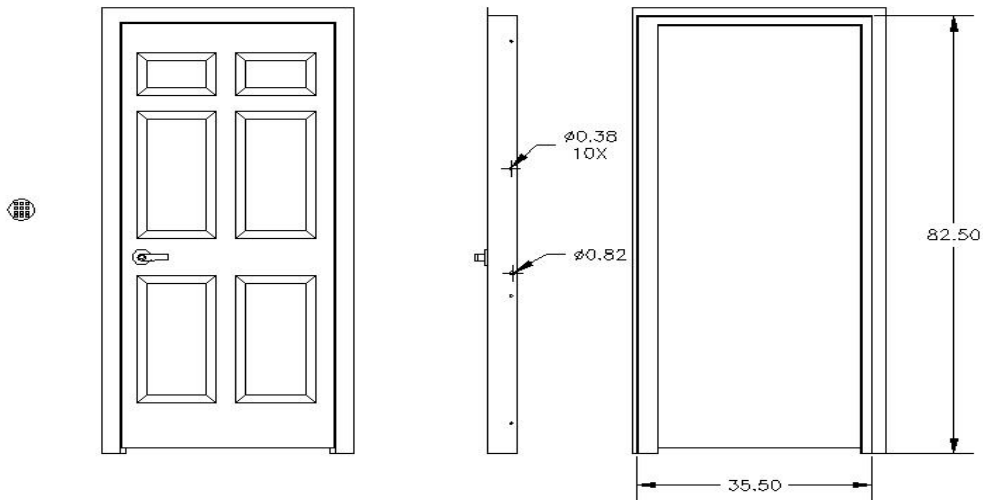




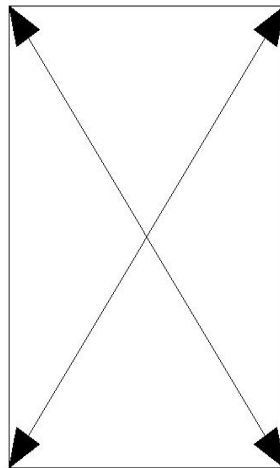
Security Door Installation Instructions



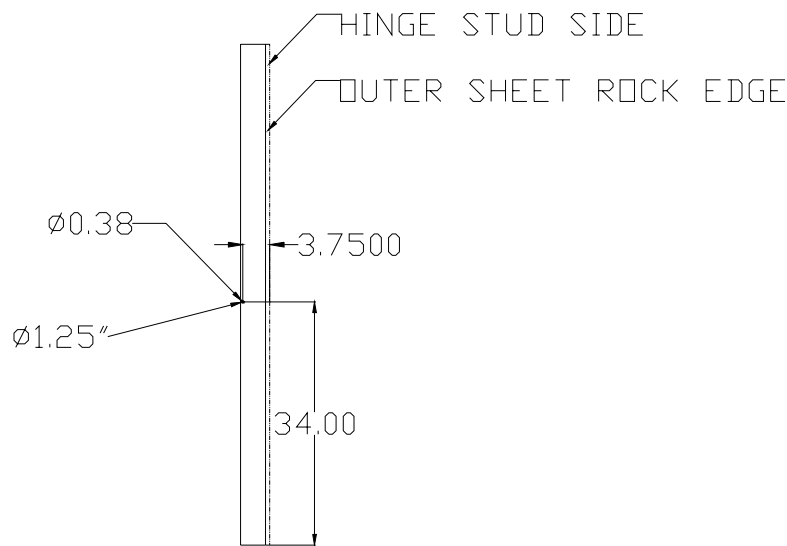
Tools Needed:

Tape Measure, Level, Drill, 1/4" Bit, 9/16 Socket, 1 1/4" Forstner Bit

1. The rough opening height must be 83" and the rough opening width must be 36".



2. Using a tape measure, check the rough opening. Measure diagonally across the opening. Diagonal measurements need be equal within 1/4".



3. Referencing drawing above, drill a 3/8" thru hole in the proper location (3.75 from outer edge of sheet rock)
 4. Referencing drawing above step three, create a 1.25" diameter cavity 3/8" deep in the stud. Center of cavity should be centered at center of 3/8" thru hole.
 5. Move security door and frame into location near rough opening. (Keep support under security door until door and frame are completely installed.)
 6. Feed electrical cable attached to security door frame through 3/8" hole in stud. (Care should be taken to keep the electrical cable from being pinched or damaged.)
 7. Start moving hinge side of security door frame into place, allowing for electrical connection to slide into place notched in stud.
 8. Finish moving security door frame into rough opening.
 9. Make sure the security door frame is tight against the wall.
 10. Square and plum the hinge side of the security door frame using solid wood shims.
 11. Once the security door and frame are square and plum, drill 1/4" holes corresponding with 3/8" holes on hinge side of frame.
 12. Use 3/8" lag bolts to secure hinge side of frame.
 13. Finish shimming the other two sides of the frame using solid wood shims and anchor with lag bolts. (Total of ten lag bolts in frame.)
 14. Recheck the hinge side of the frame to make sure that it is still square and plum. (Adjust as needed)
 15. Remove support from under security door.
 16. Remove the temporary threshold.
 17. Place trim and threshold in place as needed.
- **“IMPORTANT, RECORD YOUR SERIAL NUMBER”** located on the inside top left corner of your security door and store in a safe place for future reference otherwise your lock warranty is void.
 - **Manufacture recommends that you place wire running between lock and keypad inside electrical conduit to minimize chances of damaging wire.**